

EXAMPLE

SKETCH TERMINAL SIZE AND HOLE PATTERN DETAIL

H'S TERMINAL DETAIL	X'S TERMINAL DETAIL

RETROFIT GENERAL INFORMATION

DIMENSIONS

DIMENSIONS SHOWN ON THIS DWG. ARE FROM THE EXISTING UNIT TO BE CONSIDERED ON THE NEW DESIGN

GENERAL DIMENSIONS

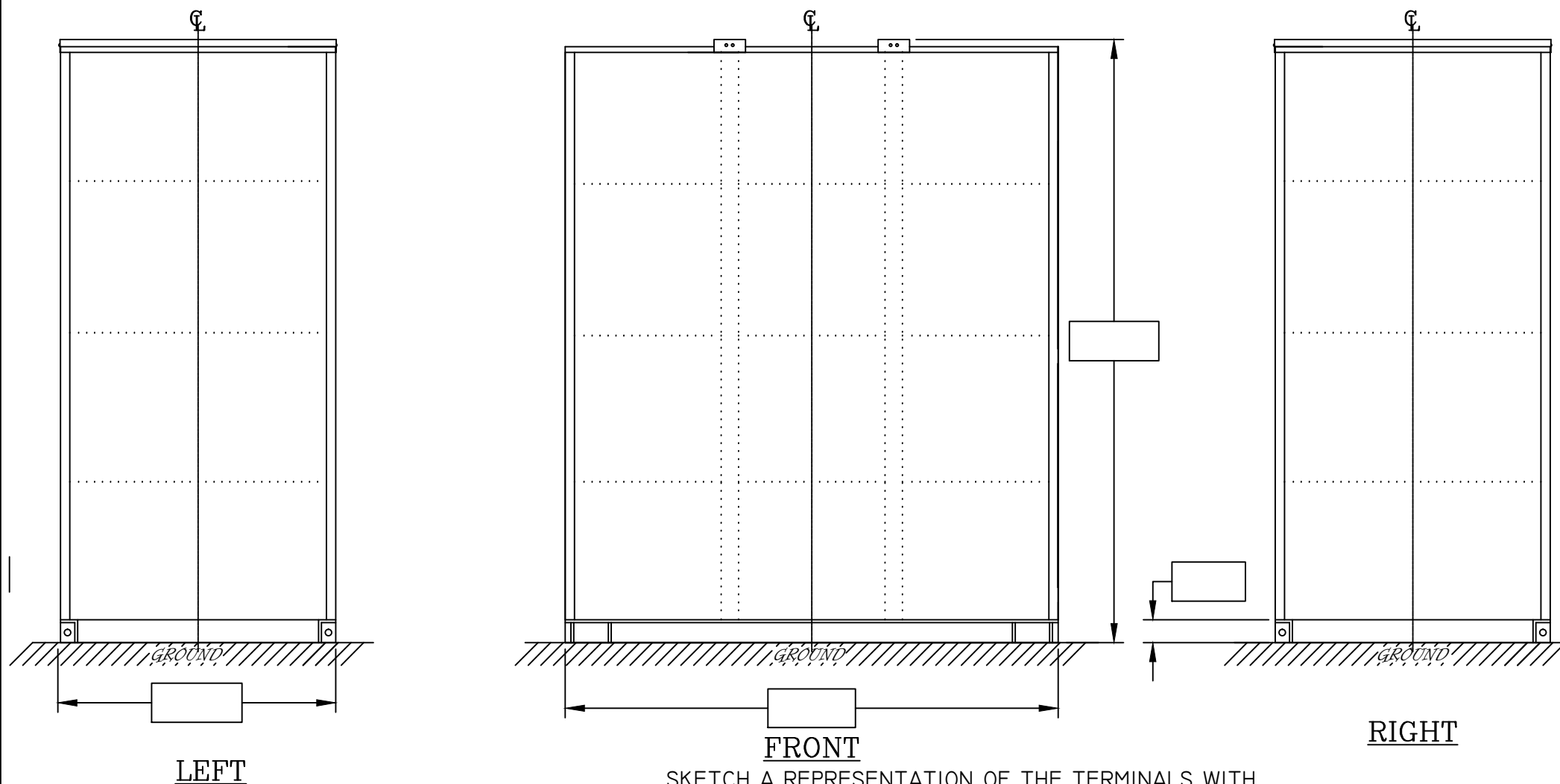
SKETCH TERMINALS SHOWING ALL MEASURED DIMENSIONS SUCH AS, GROUND TO TERMINAL CENTERLINE, WALL TO EDGE OF TERMINALS, AND SPACING. INCLUDE INSIDE AND OUTSIDE ENCLOSURE DIMENSIONS IF NEEDED. ADD DIMENSIONS AS NEEDED.

COMMENTS

FILL NAMEPLATE INFORMATION AS COMPLETELY AS POSSIBLE

OLSUN Electric Engineered Transformer Solutions www.olsun.com tel. 800.336.5786					DRY TYPE TRANSFORMER CLASS _____	
					KVA	PHASE
H.V.	KV BIL	AMPS		WGT.	LBS.	
L.V.	KV BIL	AMPS		NO.		

H.V. TAP	VOLTS
1	
2	
3	
4	
5	
6	
7	



SKETCH A REPRESENTATION OF THE TERMINALS WITH DIMENSIONS ON THE ABOVE TEMPALTE VIEWS

ENCLOSURE TYPE AND COMPONENTS:

REVISION BLOCK

REV LEVEL	INITIALS/DATE	DESCRIPTION

OLSUN Electric Engineered Transformer Solutions	RICHMOND, ILLINOIS TEL. 800.336.5786 www.olsun.com
	REVISIONS: 00 APPROVED BY: JPA DIMENSIONS IN INCHES TOLERANCES: ONE DECIMAL: +/- .5' TWO DECIMAL: +/- 0.25' THREE DECIMAL: +/- 0.125'
THIS DOCUMENT IS THE PROPERTY OF OLSUN ELECTRICS CORPORATION AND MUST NOT BE COPIED, REPRODUCED OR DISCLOSED TO OTHERS WITHOUT THE EXPRESS WRITTEN CONSENT OF OLSUN ELECTRICS CORPORATION.	
DRAWN BY: JPA DATE: 05/26/17	DRAWING TITLE: RETROFIT TRANSFORMER FITTING DIMENSIONS DRAWING NUMBER: ERD-0031 - RETROFIT SUBSTATION TEMPLATE