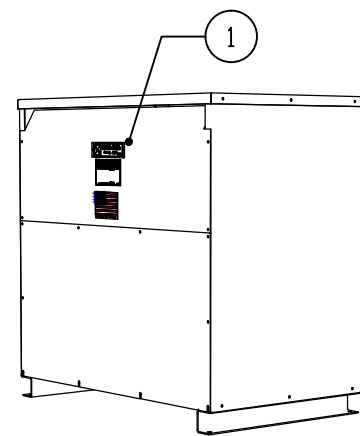
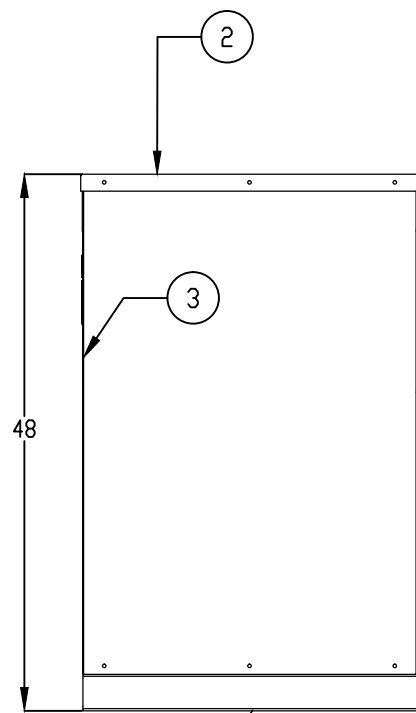


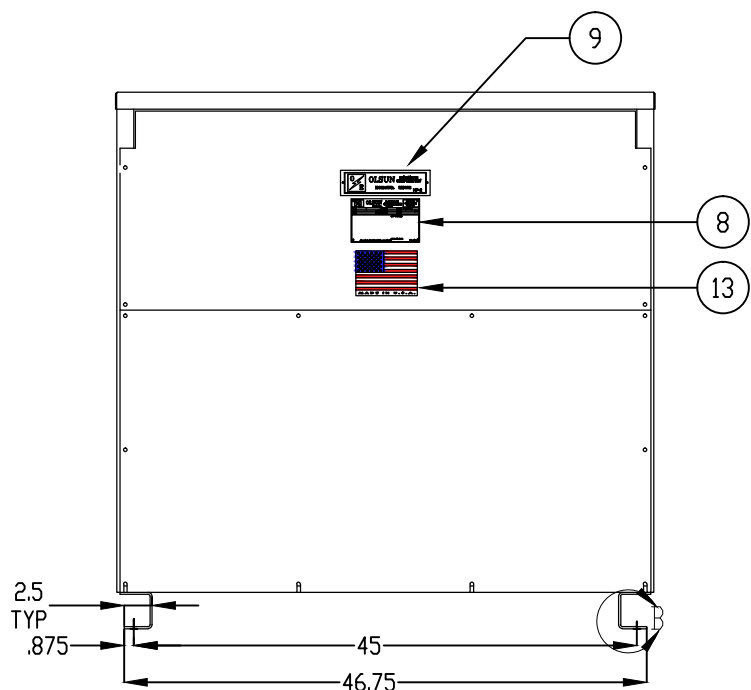
PLAN VIEW (BASE DETAIL)



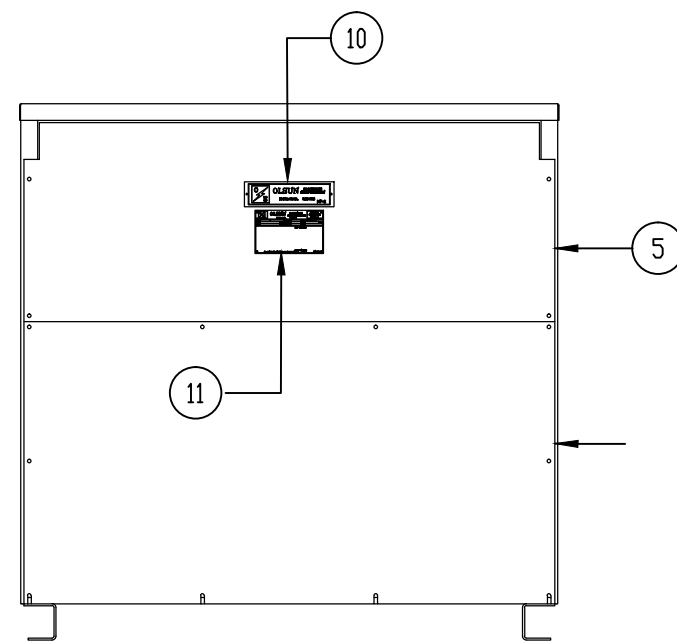
ITEM	DESCRIPTION
1	OLSUN STD NEMA 1 E68 VENTILATED ENCLOSURE**
2	ENCLOSURE COVER
3	SIDE REMOVABLE AND DRILLABLE PANELS
4	ENCLOSURE BASE
5	FRONT AND BACK REMOVABLE AND DRILLABLE PANELS
6	BOTTOM DRILLABLE PLATE WITH VENTILATION GRID
7	0.625" DIA. MOUNTING HOLES
8	PRODUCT NAMEPLATE PER IEEE STDS
9	TAG NAMEPLATE (AS REQUIRED)
10	BACK TAG NAMEPLATE (AS REQUIRED)
11	BACK PRODUCT NAMEPALTE (AS REQUIRED)
12	MADE IN U.S.A.



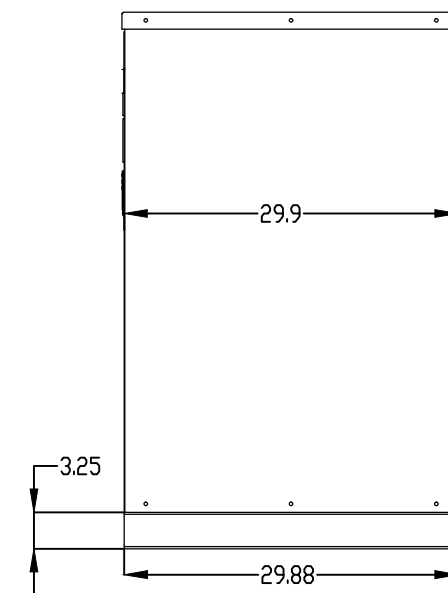
LEFT SIDE VIEW



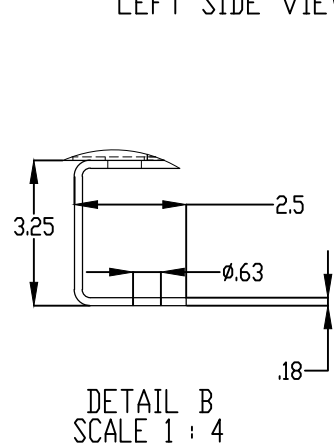
FRONT VIEW



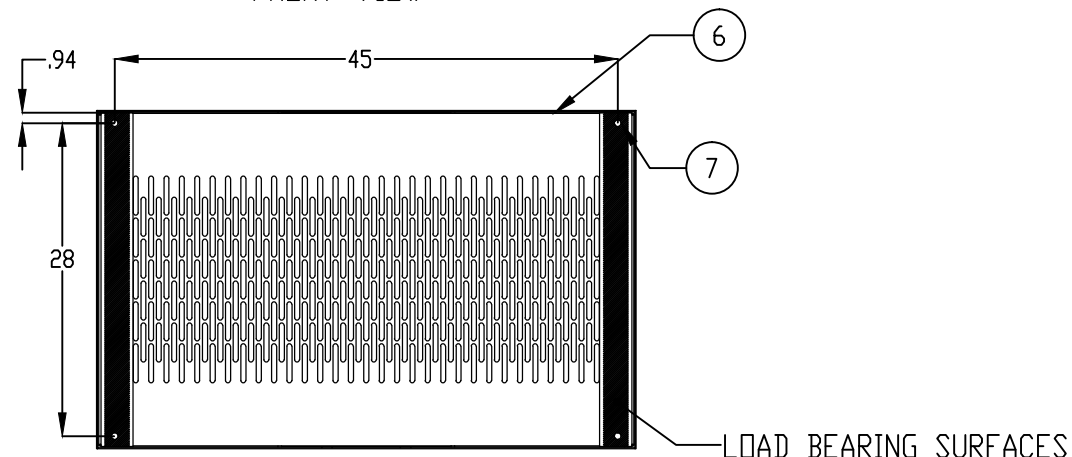
BACK SIDE VIEW



RIGHT SIDE VIEW




DETAIL B
SCALE 1 : 4



BOTTOM VIEW

**ENCLOSURE AVAILABLE IN MILD AND STAINLESS STEEL ANSI GRAY 61 STD OR COLOR SPECIFIED ELECTROSTATICALLY APPLIED AND OVEN CURED FOLLOWING A MULTI-STAGE WASH AND PRETREAT CLEANING SYSTEM

		RICHMOND, ILLINOIS TEL. 800.336.5786 www.olsun.com	
REVISIONS: 00 DIMENSIONS IN INCHES	THIS DOCUMENT IS THE PROPERTY OF OLSUN ELECTRICS CORPORATION AND MUST NOT BE COPIED, REPRODUCED OR DISCLOSED TO OTHERS WITHOUT THE EXPRESS WRITTEN CONSENT OF OLSUN ELECTRICS CORPORATION.	DRAWN BY: JPA DATE: 09/08/2016	
TOLERANCES: ONE DECIMAL: +/- .5" TWO DECIMAL: +/- .025" THREE DECIMAL: +/- 0.125"	DRAWING TITLE: OLSUN STD E68 NEMA 1 VENTILATED ENCLOSURE	DRAWING NUMBER: E68-N1-VENT	