

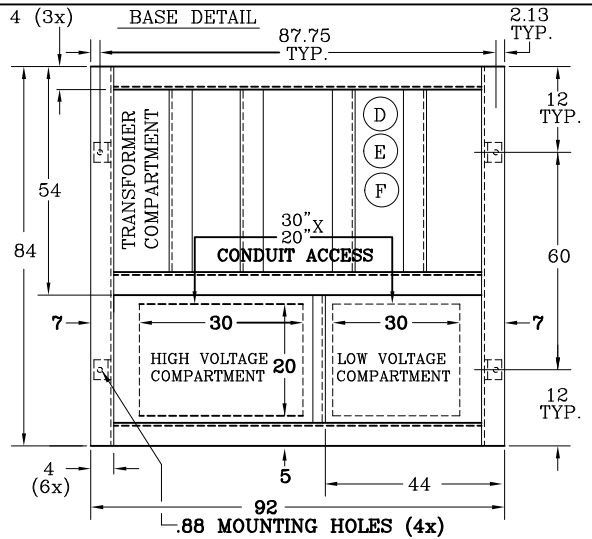
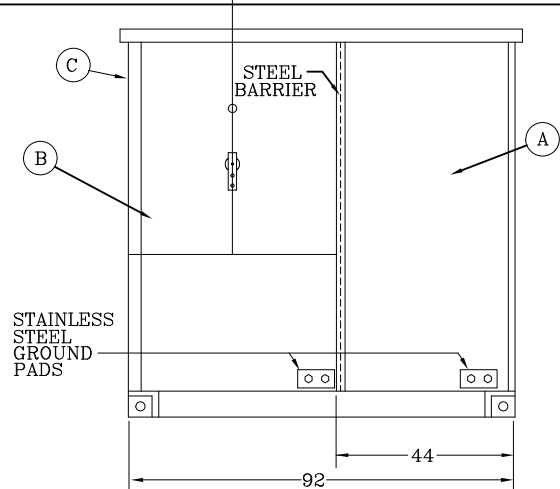
CAST RESIN TRANSFORMER

PADLOCK HASPS

SPECIFICATIONS
CAST RESIN TRANSFORMER

- A) LOW VOLTAGE SPADE TERMINALS
- B) HIGH VOLTAGE SPADE TERMINALS
- C) PAD MOUNTED TAMPER RESISTANT MILD STEEL NEMA 3R ENCLOSURE. FINISH MUNSEL GREEN 7GY3.29/1.5
- D) COPPER WINDINGS
- E) 200°C INSULATION, CLASS 220
- F) COMPLETE FAN COOLING WITH DIGITAL TEMPERATURE INDICATOR, 3 COIL SENSING AND CPT

L.V. DOOR HANDLE WITH PADLOCK FACILITY AND 3 POINT LATCH



* - DESIGN IMPEDANCE = 5.75%

		OLSUN ELECTRICS CORPORATION RICHMOND, ILLINOIS				DRY TYPE TRANSFORMER CLASS AA/FA	
KVA	2500/3333	3 PHASE	HERTZ	60	%IZ *	°C RISE	80°C
H.V.	13200 Δ	95 KV BIL	AMPS	109/146	WGT.	15900	LBS.
L.V.	480Y/277	30 KV BIL	AMPS	3007/4009	NO.	A63766	

H.V. TAP	VOLTS	POLARITY		HIGH VOLTAGE	
1-2	13860	H2	H1	H2	H3
2-3	13530	H1	H3		
3-4	13200				
4-5	12870				
5-6	12540				
6-7					
7-8					

DE-ENERGIZE TRANSFORMER BEFORE CHANGING TAPS NP-308

		OLSUN ELECTRICS CORPORATION RICHMOND, ILLINOIS	
REVISIONS:	APPROVED BY:	DRAWN BY: TSH	
DIMENSIONS IN INCHES		DATE: 7/10/06	
DRAWING TITLE: DRY TYPE TRANSFORMER SPECIFICATIONS AND DIMENSIONAL DATA		DRAWING NUMBER: A63766	