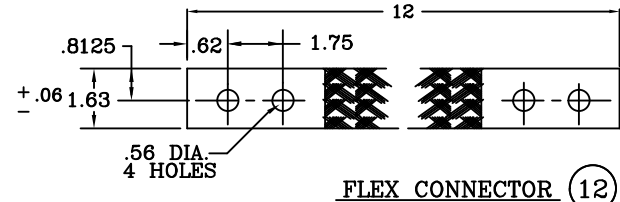


**SPECIFICATIONS  
CAST RESIN TRANSFORMER**

- 1) COPPER WOUND
- 2) 200°C INSULATION
- 3) NEMA 3R OUTDOOR ENCLOSURE WITH ANSI 61 GRAY POWDER COAT FINISH
- 4) COMPLETE FAN COOLING WITH DIGITAL TEMPERATURE INDICATOR AND CPT
- 5) 50°C AMBIENT
- 6) THERMOSTATICALLY CONTROLLED SPACE HEATERS (RATED 240V OPERATING @ 120V - 120 VOLT SOURCE BY OTHERS)
- 7) PRIMARY AIR TERMINAL COMPARTMENT
- 8) SECONDARY AIR TERMINAL COMPARTMENT WITH PROVISIONS FOR BUSWAY CONNECTIONS
- 9) SUITABLE FOR 16% OVERLOAD CAPACITY @ 100°C RISE
- 10) (3) 9KV DISTRIBUTION CLASS SURGE ARRESTERS
- 11) TRANSFORMER DUCT END FLANGE (SEE M-1749)
- 12) (7) FLEXIBLE CONNECTORS PER PHASE (X1-X2-X3) (21 TOTAL)
- 13) NEMA 2 HOLE STAINLESS STEEL GROUND PADS ON OPPOSITE CORNERS OF UNIT
- 14) SEE CONNECTION SCHEMATIC M-1751-CR FOR CONTROL WIRING



\* - DESIGN IMPEDANCE = 6.75%

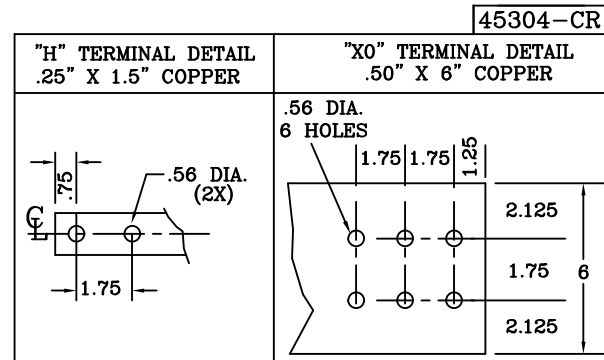
		<b>OLSUN ELECTRICS CORPORATION</b>		DRY TYPE TRANSFORMER CLASS AA/FA		
RICHMOND, ILLINOIS						
KVA	2500/3333	3 PHASE	HERTZ	60	%IZ * °C RISE	80
H.V.	7200 Δ	95 KV BIL	AMPS	200/267	WGT.	20000 LBS.
L.V.	480Y/277	30 KV BIL	AMPS	3007/4009	ND.	A71333

H.V. TAP	VOLTS
1-2	7560
2-3	7380
3-4	7200
4-5	7020
5-6	6840

DE-ENERGIZE TRANSFORMER BEFORE CHANGING TAPS



REV.	00	CHECKED BY	KFL	DATE	04/21/15
		<b>OLSUN ELECTRICS CORPORATION</b>		RICHMOND, ILLINOIS	
REVISIONS: 00		APPROVED BY:		DRAWN BY: KFL	
DIMENSIONS IN INCHES				DATE: 04/21/15	
DRAWING TITLE:		DRY TYPE TRANSFORMER SPECIFICATIONS AND DIMENSIONAL DATA		DRAWING NUMBER: A71333	

CUSTOMER:  
BASIN ELECTRIC  
POWER CORPORATION  
LELAND OLDS STATION  
LOCATION:  
STANTON, ND  
LOS SNCR UNITS 1 & 2  
CONTRACT NO. 684477

45304-CR

SHEET 1 OF 2