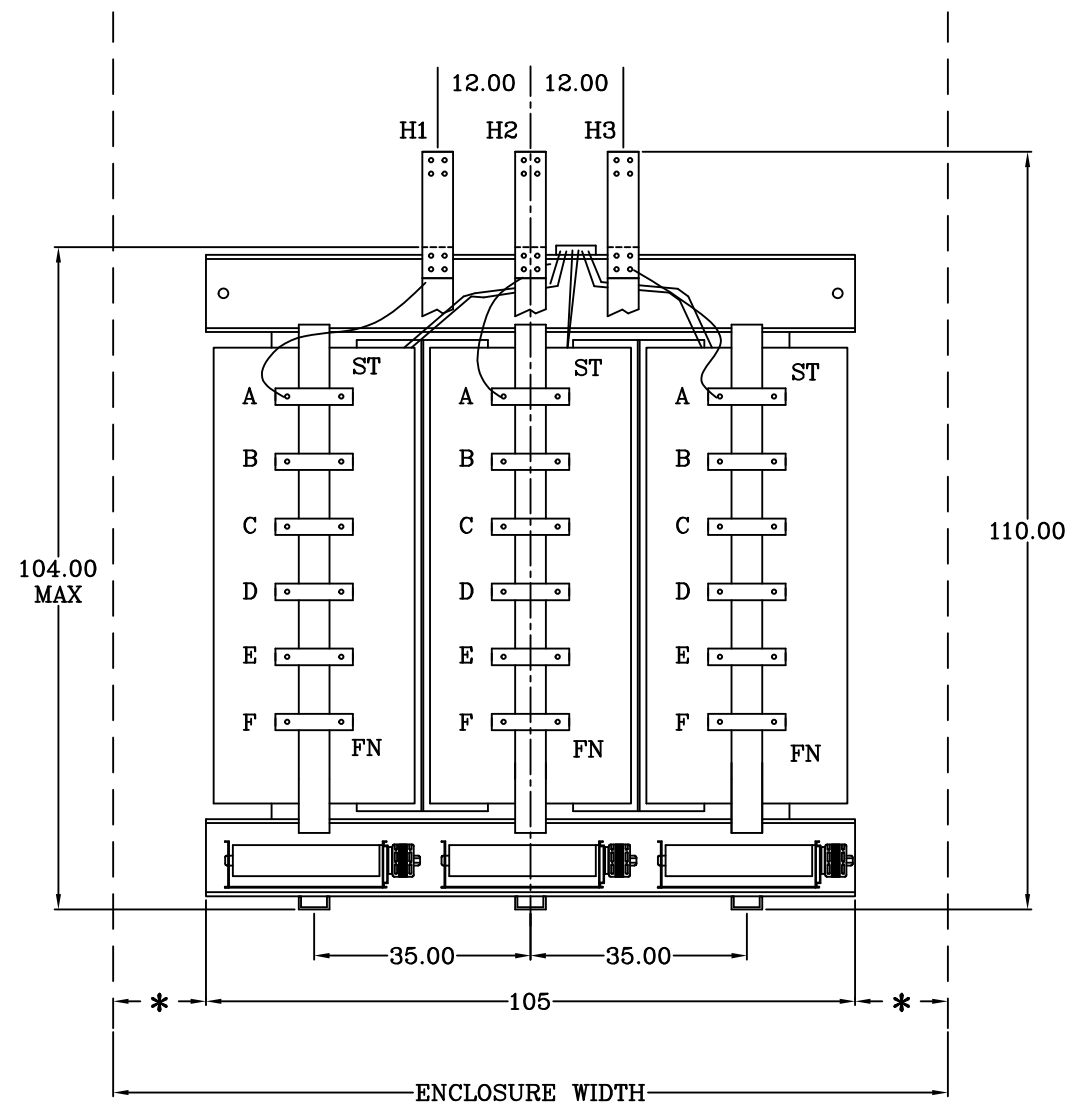
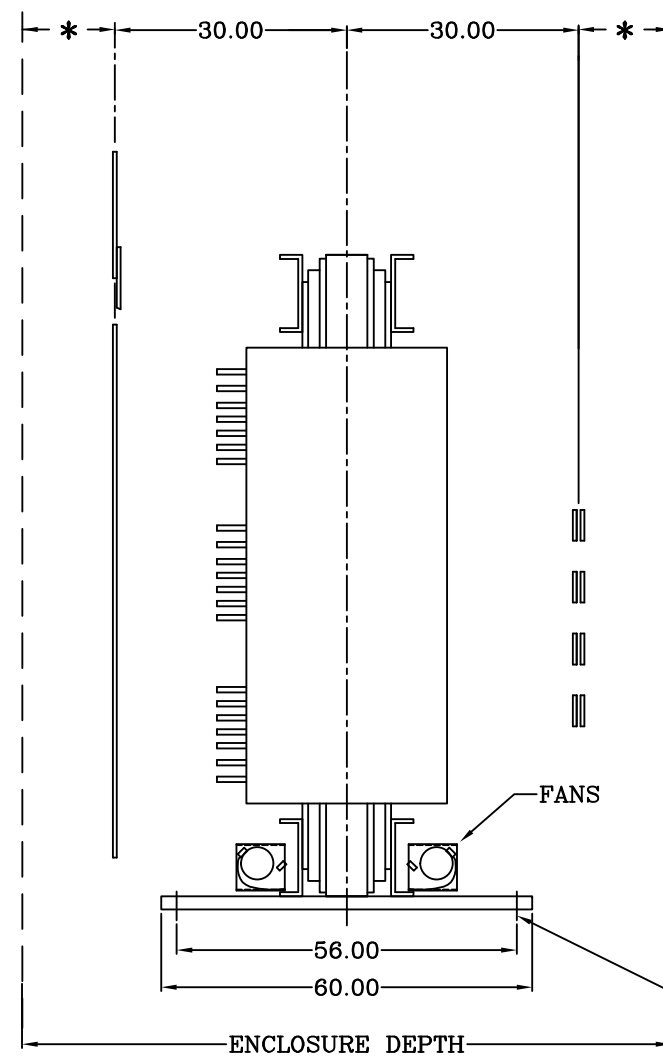


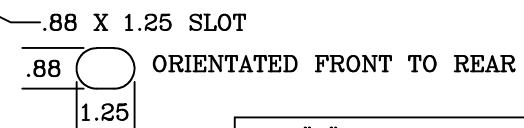
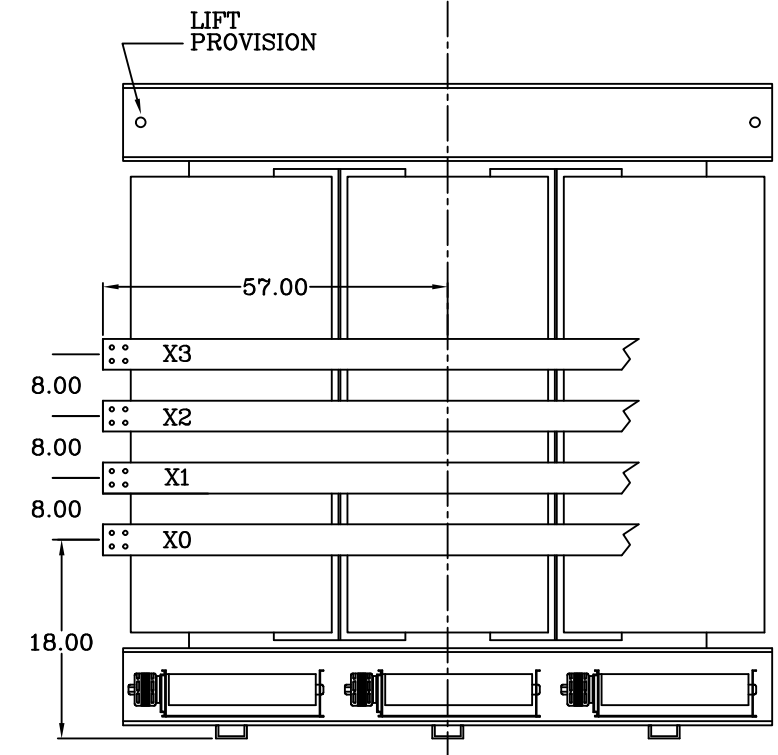
FRONT VIEW



RIGHT VIEW

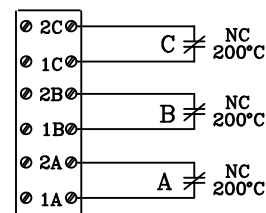


REAR VIEW



\* MINIMUM ELECTRICAL CLEARANCE TO GROUND REQUIRED 6"

THERMOSTAT TERMINAL BLOCK

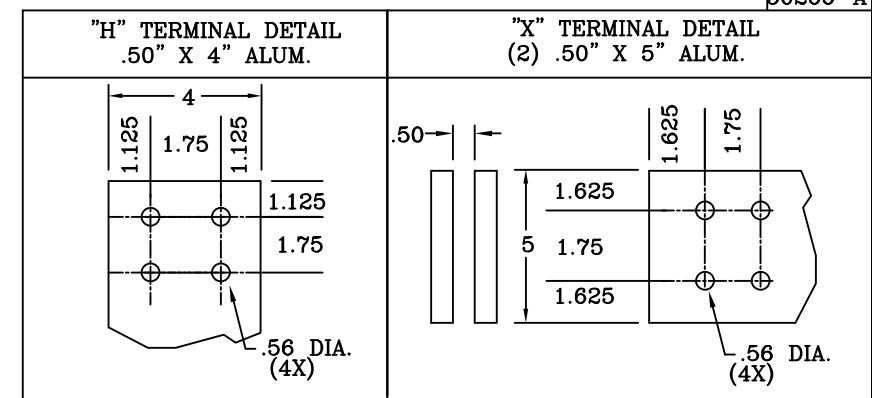


SPECIFICATIONS

- 1) ALUMINUM WOUND
- 2) 220°C INSULATION
- 3) VACUUM PRESSURE IMPREGNATION
- 4) (1) 200°C THERMAL SWITCH PER COIL WIRED TO A TERMINAL BLOCK
- 5) UL/cUL RECOGNIZED COMPONENT  
UL FILE E143467
- 6) BOLTED AND REMOVABLE BUS CONNECTIONS FOR HV TERMINALS WITH BUS REMOVED
- 7) UNIT HEIGHT NOT TO EXCEED 104"
- 8) FAN COOLING SYSTEM WITH CROSSFLOW FANS(DIGITAL TEMP.MONITOR AND 120V.CONTROL POWER BY OTHERS)

REV 04:DISTANCE TO "X0" CENTERLINE WAS 24"(SCN#18476) TV 7/27/16  
 REV 03:ADDED FANS AND REMOVED KORFUND PADS KT 7/11/16  
 REV 02:ADDED BOLTED CONNECTION FROM SPEC #6&7 KT 7/11/16  
 REV 01:ADDED SPEC #6&7(SCN#18340) TV 6/29/16

REV.	04	CHECKED BY	KT	DATE	7/11/16
------	----	------------	----	------	---------



<p><b>OLSUN</b> ELECTRICS CORPORATION RICHMOND, ILLINOIS</p>		SHEET 1 OF 2		
		REVISIONS: 04	APPROVED BY:	DRAWN BY: TV
DIMENSIONS IN INCHES				DATE: 6/23/16
DRAWING TITLE: DRY TYPE TRANSFORMER SPECIFICATIONS AND DIMENSIONAL DATA			DRAWING NUMBER: A72347	